

BLE- M Mini Trunk Amplifier



Profile:

BLE-M is a two-way platform line extender used in building HFC network and traditional coaxial cable network. Frequency Range 550MHz 750MHz 862MHz optional. Amplifier has one Input, and three type of Output optional, including single output and two tap output or two splitters output.

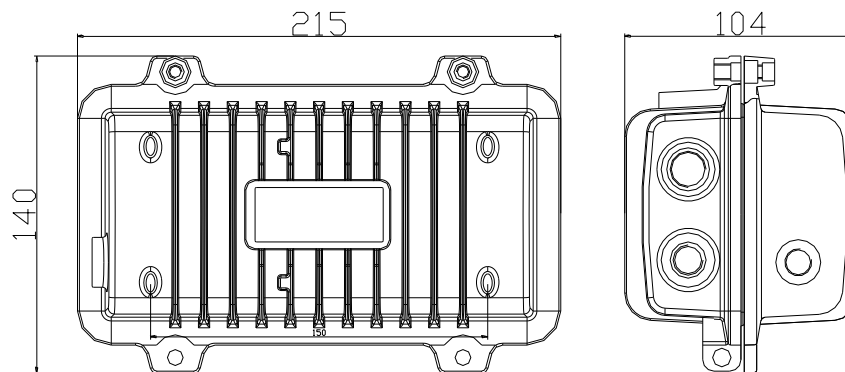
Specification:

- Switch Power Supply, 60V (35V-75V) or 220V (100V-265V) optional
- -20dB directional coupler test points
- All the ports could be used as power supply port, including Input, Output, Tap Ports.
- 8 - amp power passing capacity.

Housing:

The BLE- M is furnished in an aluminum housing that protects the electronics from weather and dissipates internally generated heat.

Figure illustrates the BLE- M housing and provides its dimensions:



Functional Block Diagram

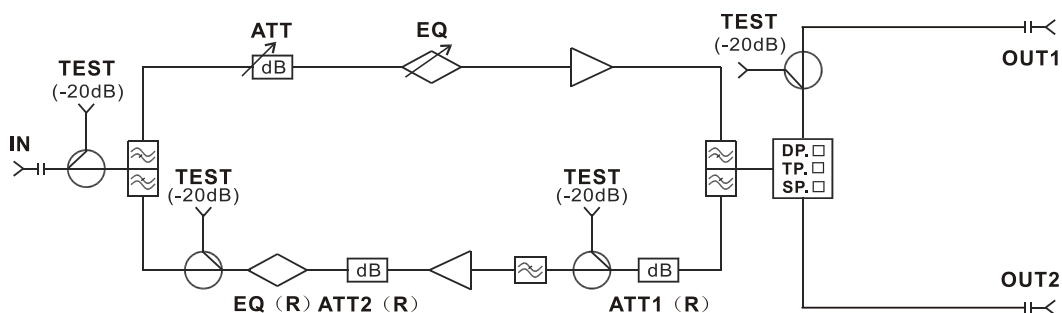


Figure Functional Block Diagram of BLE- M

Specification:

Parameter	Forward	Return	Note
Bandpass (MHz)	47-550/750/862	5~30MHz	
Flatness (dB)	±0.75	±0.75	
Return Loss (dB)	≥16	≥16	
Operational Gain (dB)	30(with duplex filter)	-4dB	Single Output
Min Full Gain (dB)	≥30(with duplex filter)		Single Output
Equalizer Range (dB)	0~18	0~16	Adjustable
Noise Figure (dB)	<9		
Test Port Level (dB)	-20	-20	
Test Ports Response (dB)	±1	±1	
DC Voltage (V/DC)	+24		
Hum (dB)	≥66		
AC Input Voltage (V/AC)	35—90		~60V power supply
AC pass Current (A/AC)	8		Max Currency (~60V)
Gain Adjustment (dB)	0 ~ 20		Adjustable
RF Connection	F-type connector		
Resistance (Ω)	75		
C/CSO(dB)	≥62		59channels PAL ,RF output level 42dBmV
C/CTB(dB)	≥62		59channels PAL , RF output level 42dBmV
Storage Temperature	-40°C—+70°C		
Working Temperature	-25°C—+55°C		
Dimension(mm)	215*140*104		
Weight	2kg Max		